



AdvantaPass permits the aseptic transfer of fluids between the walls of pharmaceutical manufacturing suites. It's the first system of its kind to offer complete isolation between different classes of clean rooms when transferring multiple lines of fluid through a single wall portal.

AdvantaPass is a patented system that provides a practical, safe, secure and easy way to move large volumes of liquids from one room to another without the risk of bin breakage or spillage. Its incorporation of Single-Use disposable components eliminates cleaning validation requirements that involve the expense and waste of time, labor and natural resources.



SUS

www.advantapure.com

KEY FEATURES

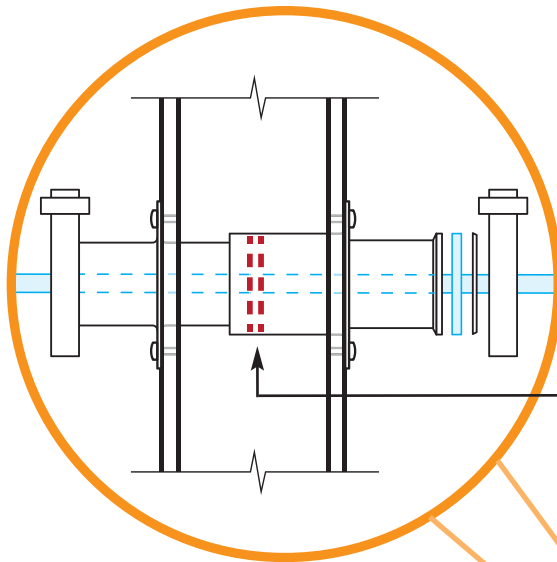
- Single-Use components eliminate the need to clean and validate traditional hard piping transfer lines
- Design flexibility — can be used in new construction or retrofitted into existing facilities; no welding involved
- Accommodates single or multiple fluid flow lines without compromising the isolation barrier functionality
- Provides a reliable method for transferring fluids without physically moving bins and totes, thereby eliminating the risk of breakage, spillage and lost pharmaceutical product during bin transfer
- Uses Single-Use process components made of either platinum-cured silicone or TPE tubing and isolator flanges and seals
- Custom manufactured with standardized parts for each application including a choice of end connections
- Does not involve multiple moving parts or frequent maintenance like other in-wall pass-through systems
- Works with various wall and floor thicknesses
- Assembly and disassembly takes just minutes
- Standard sizes up to 6" diameter; larger sizes on request
- Portal assemblies machined from solid 316L stainless steel
- Purge ports further reduce the chance of cross contamination between non-viral-active and viral-active suites
- U.S. Patent 8,870,230



Custom Manufactured

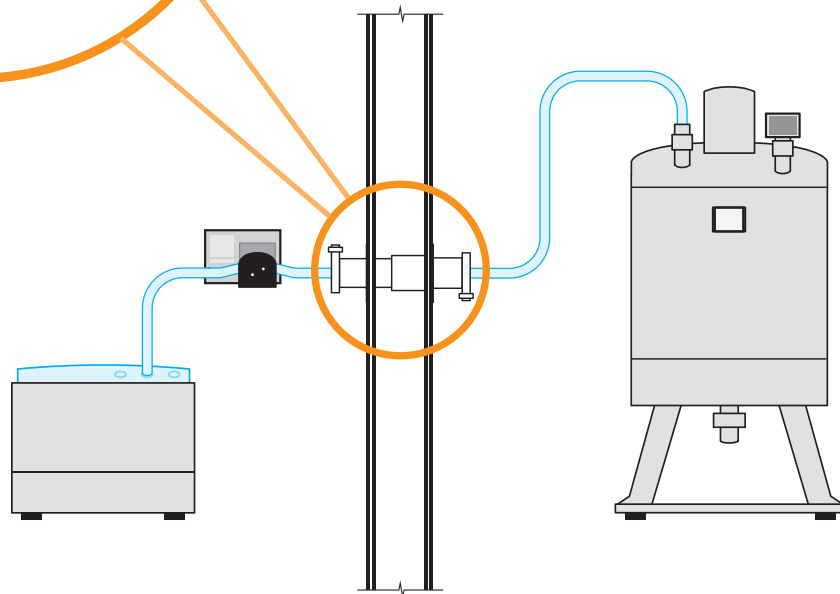
The AdvantaPass system is custom made to accommodate different wall thicknesses. It can also be adapted for floor-to-ceiling conveyance. AdvantaPass manages multiple tubing apertures, as well as purge ports, through a single wall portal.

The system can save thousands of dollars as compared to other pass-through methods that involve numerous moving parts and frequent maintenance. AdvantaPass also saves on the sterilization and validation of hard piping transfer systems.



■ Dual internal silicone o-ring seals provide a leak-free fit.

SUS



Proven, Reliable Materials



AdvantaPass™ uses 316L stainless steel components such as portal assemblies, end caps and hygienic union clamps to form a secure barrier, while it incorporates single use tubing, seals, gaskets and isolator assemblies for fluid transfer processes. AdvantaPass is offered in standard sizes up to 6" diameter with larger dimensions available on request.

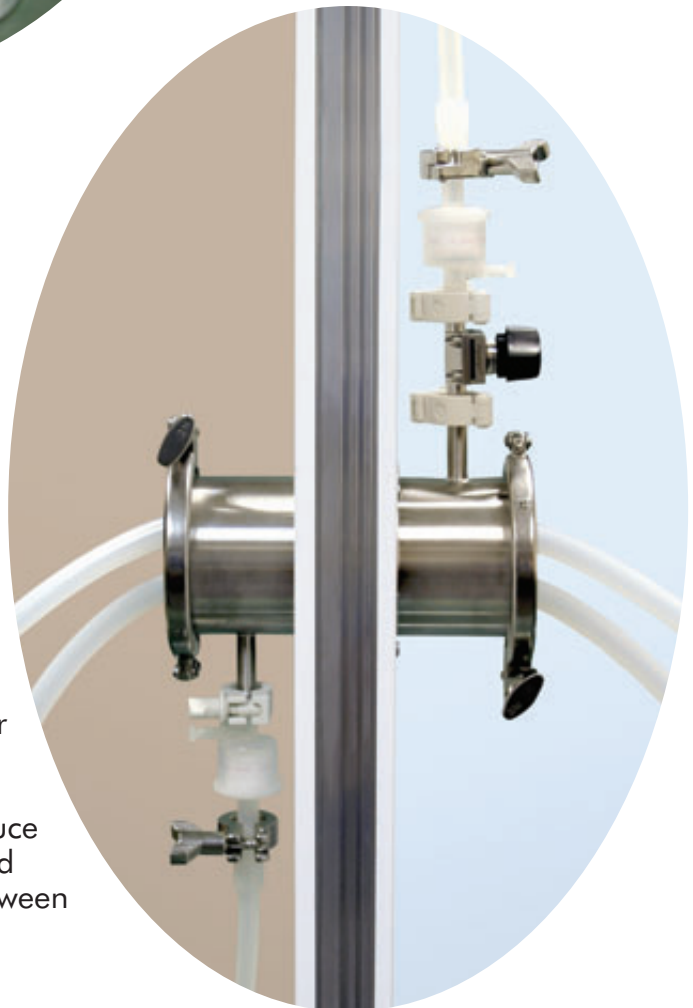
Note: The use of non-BPE-compliant components may result in an improper isolator seal.

Highly Adaptable

Single or multiple tubing ports, where one pass-through system can serve several different tubes, is unique to AdvantaPass.

Choose from aseptic or open connector configurations to adapt to your process. Single or double isolation barriers maintain the proper environment.

Purge ports are available to filter any potential transfer of viral-active product from one suite to another. Purge ports also introduce filtered air, creating a pressurized portal for complete isolation between classified areas.



■ This cross section view of the AdvantaPass system shows an air purge filtering function.

SUS

MATERIALS



MOLDED SINGLE-USE MANIFOLD ASSEMBLIES

AdvantaPure specializes in the design and manufacture of molded Single-Use manifold assemblies for sampling and storage applications. These assemblies are available in platinum-cured silicone or biopharmaceutical grade TPE.

Learn more at www.advantapure.com/single-use-molded-manifolds.htm

APST UNREINFORCED SILICONE TUBING

Low-volatile grade, platinum-cured silicone tubing is clean-room produced for critical pharmaceutical, biomedical, cosmetic, and food applications. APST has undergone extensive physical, chemical, and biological testing and meets USP Class VI, FDA, ISO, EP and 3-A standards.



Learn more at www.advantapure.com/apst-silicone-tubing.htm



AdvantaFlex addresses the need for a sterilizable, moldable, weldable and heat sealable biopharmaceutical tubing without silicone oils. AdvantaFlex maintains its physical properties following sterilization processes, resists kinking, remains translucent for visible product flow and does not become gummy. Its unique properties help it outperform similar tubing in peristaltic pumps.

Learn more at www.advantapure.com/advantaflex.htm

Purity in Fluid Flow Systems®



Made in U.S.A.

Address: NewAge Industries AdvantaPure®
145 James Way
Southampton, PA 18966 U.S.A.



Toll Free Phone: **888-755-4370**
Phone: **215-526-2151**
Toll Free Fax: **888-258-4293**
Fax: **215-526-2167**
Web Site: **www.advantapure.com**
E-mail: **sales@advantapure.com**

DISTRIBUTED BY:

©2014 NewAge® Industries, Inc. Specifications are subject to change without notice. AdvantaPure products are produced by NewAge® Industries, Inc. AdvantaPass™, AdvantaFlex®, Purity in Fluid Flow Systems®, NewAge Industries AdvantaPure®, NewAge®, and the "N" logo are trademarks of NewAge® Industries, Inc.



WARRANTY: NewAge Industries AdvantaPure products are warranted to be free from defects in material and workmanship. Any product found to carry such defects will be replaced without charge. This warranty is limited only to the replacement of NewAge Industries AdvantaPure products, item for item, which after examination by NewAge Industries AdvantaPure are deemed defective. NewAge Industries AdvantaPure specifically disclaims any other liability. The data supplied is provided as a helpful guideline and is believed to be reliable; however, nothing stated shall constitute a guarantee, recommendation, or warranty for any application.

NOTICE: NewAge Industries, Inc. has been a privately owned corporation since 1954. Neither the corporation nor its principals are affiliated, in any way, with any other group or entity either representing themselves as or being referred to by the term NewAge.