



SaniSure™

Cap2v8™

50 mL Centrifuge Tube

Engineered Single Use Solutions...Reducing Operational Cost, Improving Production Efficiency



- Cost Effective Aseptic Transfer & Sampling Device
- PVC Tubing Closure System
- One Piece Molded Cap
- Packaged In Certified ISO Class 7 Clean Room
- Lot Traceable
- Meets USP Class VI

Unique integrated cap & tube system providing for aseptic transfer & storage

<u>Features</u>	<u>Benefits</u>
◇ One piece Molded Cap Design	<ul style="list-style-type: none"> ○ Reduces contamination & product loss associated w/ barbed fittings ○ Closed System protects product integrity ○ Provides aseptic seal for high purity biologicals
◆ Material Variation Compatibility On Tubing and Caps	<ul style="list-style-type: none"> ● PVC tubing (RF weldable/sealable) – Hytrel® Cap ● C-Flex tubing (Heat weldable/sealable) – Polypropylene Cap ● PharMed tubing (Heat weldable/sealable) – Polypropylene Cap
◇ Custom Design Capabilities With Standard Product Deliveries	<ul style="list-style-type: none"> ○ Fast turnaround on small lots and custom configurations ○ Closure System can be used with various plastic tubes ○ Custom tubing sizes, lengths, and accessories available ○ Available individually packaged or as a component in an assembly
◆ Single Use	<ul style="list-style-type: none"> ● Cost Effective ● Reduced assembly & installation time ● Eliminate cleaning validation



SaniSure™

Be sure.

www.SaniSure.com

SaniSure Inc.
P.O. Box 2360
Moorpark, CA 93021
Toll Free (877) 777-3005

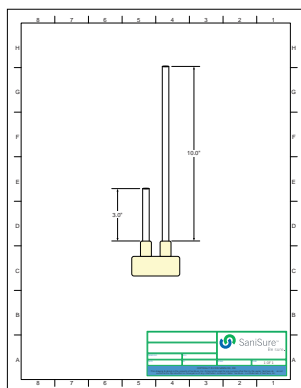
SaniSure is
a Trademark
of SaniSure Inc.

SaniSure™ Cap2v8 Centrifuge Tube Design Options:

Part Number	Description	Type of Tubing
CAP2V8-50C-C-V-NG	50 ml Centrifuge Tube - Cap Only, Non-Gamma	PVC
CAP2V8-50C-A-V-NG	50 ml Centrifuge Tube - Assembly, Non-Gamma	PVC
CAP2V8-50C-C-V-GI	50 ml Centrifuge Tube - Cap Only Gamma Irradiated	PVC
CAP2V8-50C-A-V-GI	50 ml Centrifuge Tube - Assembly Gamma Irradiated	PVC
CAP2V8-50C-C-X-NG	50 ml Centrifuge Tube - Cap Only, Non-Gamma	C-Flex®
CAP2V8-50C-A-X-NG	50 ml Centrifuge Tube - Assembly, Non-Gamma	C-Flex®
CAP2V8-50C-C-X-GI	50 ml Centrifuge Tube - Cap Only Gamma Irradiated	C-Flex®
CAP2V8-50C-A-X-GI	50 ml Centrifuge Tube - Assembly Gamma Irradiated	C-Flex®
CAP2V8-50C-C-P-NG	50 ml Centrifuge Tube - Cap Only, Non-Gamma	PharMed®
CAP2V8-50C-A-P-NG	50 ml Centrifuge Tube - Assembly, Non-Gamma	PharMed®
CAP2V8-50C-C-P-GI	50 ml Centrifuge Tube - Cap Only Gamma Irradiated	PharMed®
CAP2V8-50C-A-P-GI	50 ml Centrifuge Tube - Assembly Gamma Irradiated	PharMed®

Cap Only (Typical) – Description:

- 1 - 2 PORT Cap2v8 Cap W/ 1/8" ID x 1/4" OD TUBING
 - Vent Line - 3.0" OAL
 - Transfer Line – 10.0" OAL



Application(s):

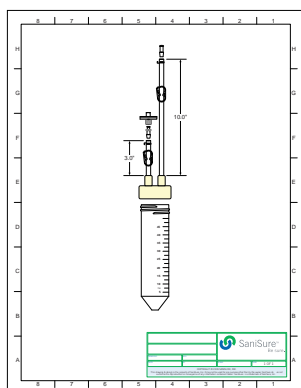
- Transfer of biopharmaceutical products and reagents in a closed system
- Gas exchange transfer
- Sampling of biopharmaceutical products and reagents in a closed system
- Storage of biopharmaceutical products and reagents
- Use with benchtop, pilot plant, and production bioreactors
 - From research to process
- Used with sterile connecting devices and thermal or RF tubing sealers

Sterilization:

- Autoclave – 15 psi @ 134°C, 60 min
 - C-Flex® and PharMed® formulations only, PVC not recommended
 - Irradiated assemblies can not be autoclaved
- Gamma Radiation – 25 kGy to 50 kGy

Assembly (Typical) – Description:

- 1 - 50 mL CENTRIFUGE TUBE, POLYSTYRENE
- 1 - 2 PORT Cap2v8 Cap W/ 1/8" ID x 1/4" OD TUBING
 - Vent Line - 3.0" OAL
 - Transfer Line – 10.0" OAL
- 1 - 25 mm 0.2µm Hydrophobic Filter



- Please contact SaniSure for other Cap2v8 container solutions & Information



Represented by:

For More Information Visit: www.SaniSure.com

- C-Flex® and PharMed® are registered trade marks of Saint-Gobain Performance Plastics Corporation
- Hytre® is a registered trade make of DuPont

IMPORTANT: It is the user's responsibility to ensure the suitability and safety of SaniSure, Inc. products for all intended uses.

For a period of 90 days from the date of first sale, SaniSure, Inc. warrants this product to be free from defects in materials and workmanship. Our only obligation will be to replace any portion proving defective, or at our option, to refund the purchase price thereof. User assumes all other risk, if any, including the risk of injury, loss or damage, direct or consequential, arising out of the use, misuse, or inability to use, this product. THIS WARRANTY IS IN LIEU OF THE WARRANTIES OF MERCHANTABILITY, FITNESS FOR PARTICULAR PURPOSE, AND ALL OTHER WARRANTIES, EXPRESSED OR IMPLIED. No deviation is authorized.

SaniSure, Inc. assumes no obligations or liability for any advice furnished by it or for results obtained with respect to those products. All such advice is given and accepted at the buyer's risk. SaniSure™ is a trademark of SaniSure, Inc. ©2009 All rights reserved